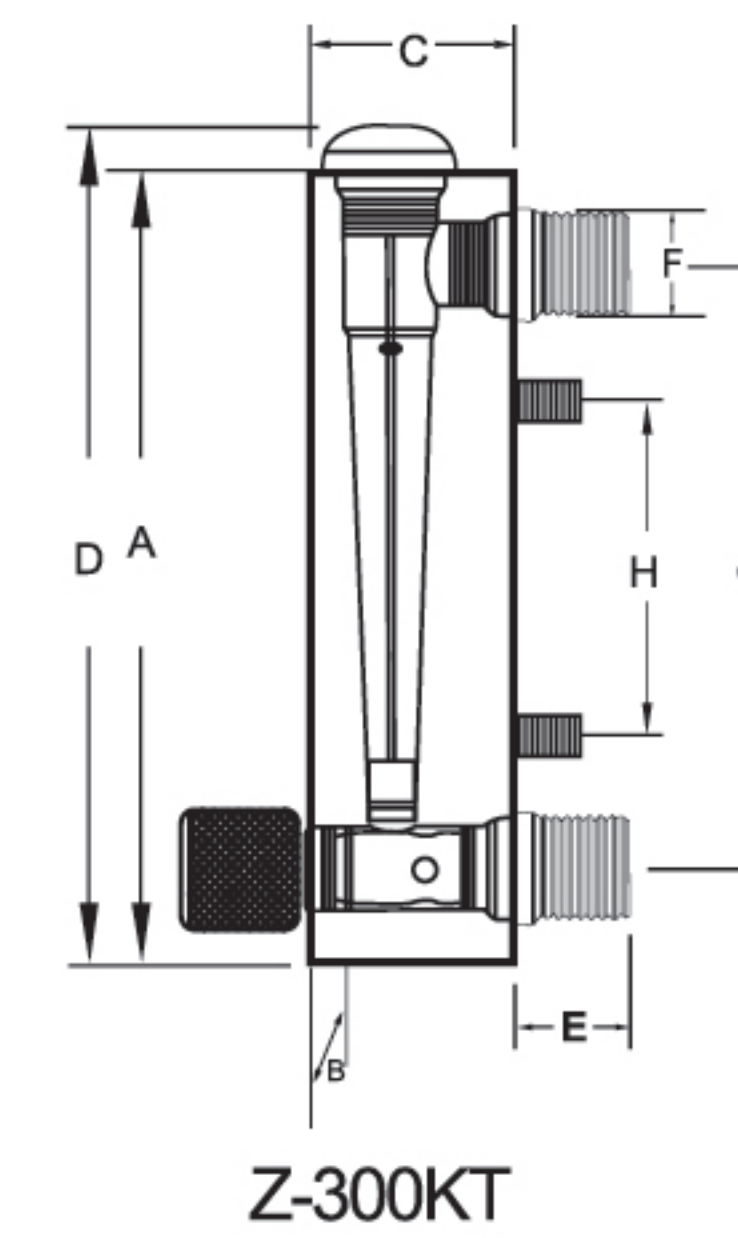
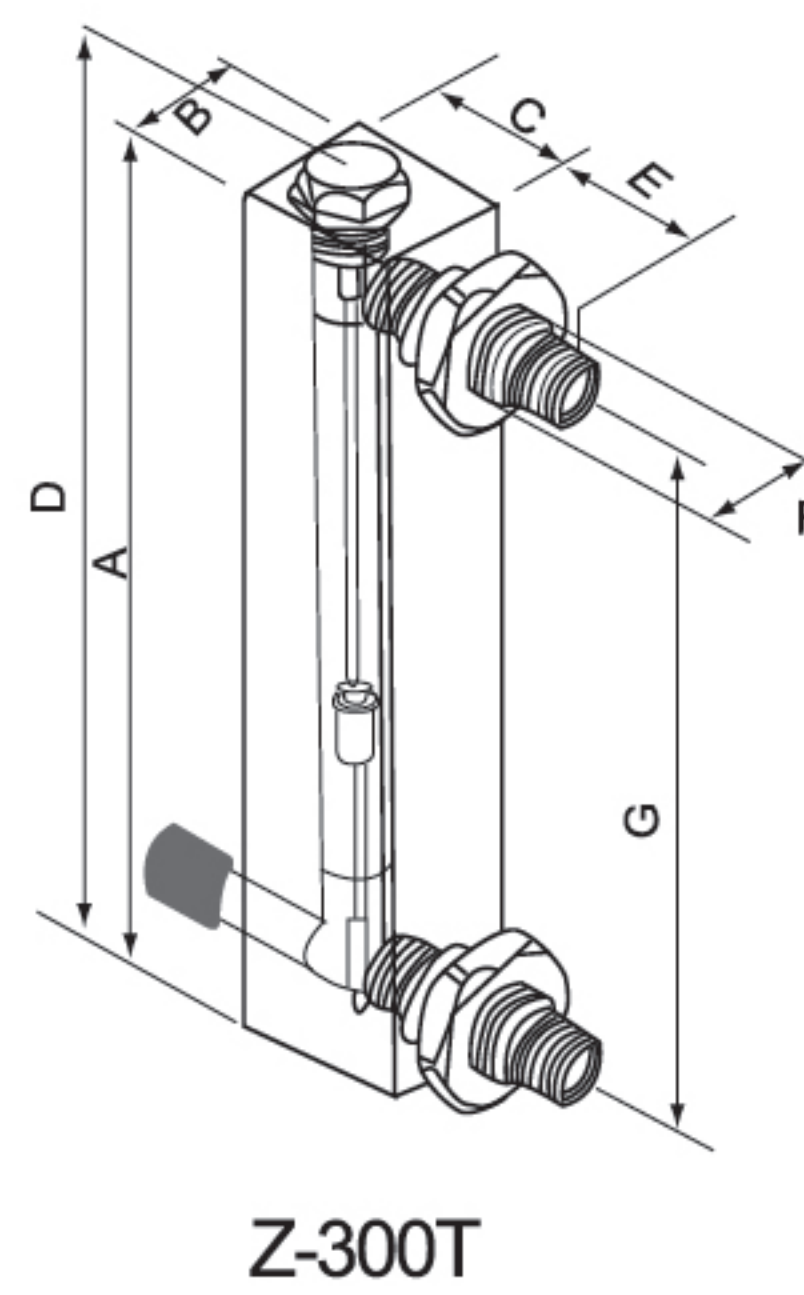


The Series Z-300T/Z-300KT

Acrylic Flowmeter

Solid acrylic block production, sturdy and durable



The Series Z-300T/Z-300KT Acrylic Flowmeter is a variable area flowmeter whose measuring tubes are made of a solid acrylic block. As fluid passes through the pipe, the float suspends itself under the influence of fluid dynamics and gravity. The greater the fluid flow, the higher the float rises, allowing direct reading of the flow value from its position. With high transparency, impact resistance, and excellent chemical compatibility, this acrylic flowmeter becomes a preferred tool for laboratories, food & pharmaceutical industries, and measurement of corrosive media with small to medium flow rates. Its lightweight design, low cost, and ease of observation give it significant advantages in all applications.

FEATURES

- The rotor floats with the fluid, no mechanical wear, low maintenance costs, and a long service life.
- Lightweight and cost-effective, it provides an economical flow measurement solution.
- Installed vertically without requiring straight pipe sections.
- The transparent pipe allows for direct observation of the fluid status and rotor position, facilitating easy reading.

SPECIFICATIONS

Service	Compatible liquids
Material	Body: Acrylic; O-ring: Silicone Rubber; Connection: 304 Stainless Steel
Accuracy	±6%
Temperature Rating	0°C to 55°C
Pressure Rating	Less than 0.6MPa

APPLICATIONS

- Pharmaceutical Industry
- Semiconductor Industry
- Food and Beverage Industry
- Urban Water Supply and Drainage
- Environmental Protection
- New Energy Industry
- Scientific research institution

MODEL CHART

Model	Scale	Dimensions (mm)
Z-3000T	Dual Scale: 0.03 GPM - 0.35 GPM / 0.1 LPM - 1.4LPM, 1/2" BSPT Male, AxBxCxDxExFxG = 206x34x40x215x31x20x165mm	
Z-3001T	Dual Scale: 0.2 GPM - 2 GPM / 1 LPM - 7 LPM, 1/2" BSPT Male, AxBxCxDxExFxG = 206x34x40x215x31x20x165mm	
Z-3002T	Dual Scale: 0.5 GPM - 5 GPM / 1.8 LPM - 18 LPM, 1/2" BSPT Male, AxBxCxDxExFxG = 206x34x40x215x31x20x165mm	
Z-3003T	Dual Scale: 2 GPM - 10 GPM / 5 LPM - 40 LPM, 3/4" BSPT Male, AxBxCxDxExFxG = 220x41x45x233x47x33x165mm	
Z-3004T	Dual Scale: 2 GPM - 16 GPM / 10 LPM - 60 LPM, 3/4" BSPT Male, AxBxCxDxExFxG = 220x41x45x233x47x33x165mm	
Z-300KT1	Dual Scale: 0.1 GPM - 1 GPM / 0.5 LPM - 4 LPM, 1/2" BSPT Male, AxBxCxDxExFxGxH = 168x30x34x176x25x25x127x76mm	
Z-300KT2	Dual Scale: 0.2 GPM - 2 GPM / 1 LPM - 7 LPM, 1/2" BSPT Male, AxBxCxDxExFxGxH = 168x30x34x176x25x25x127x76mm	
Z-300KT3	Dual Scale: 0.5 GPM - 5 GPM / 2 LPM - 18 LPM, 1/2" BSPT Male, AxBxCxDxExFxGxH = 168x30x34x176x25x25x127x76mm	
Z-300KT4	Dual Scale: 1 GPM - 10 GPM / 5 LPM - 35 LPM, 1" BSPT Male, AxBxCxDxExFxGxH = 226x45x46x232x48x33x165x100mm	
Z-300KT5	Dual Scale: 2 GPM - 14 GPM / 10 LPM - 50 LPM, 1" BSPT Male, AxBxCxDxExFxGxH = 226x45x46x232x48x33x165x100mm	
Z-300KT6	Dual Scale: 2 GPM - 20 GPM / 12 LPM - 70 LPM, 1" BSPT Male, AxBxCxDxExFxGxH = 226x45x46x232x48x33x165x100mm	